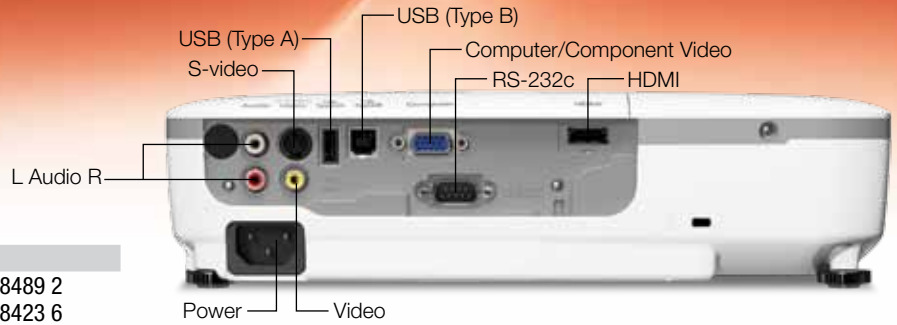


PowerLite[®] X12

Multimedia Projector



Product Name	Product Code	UPC
PowerLite X12 Projector	V11H429020	0 10343 88489 2
Genuine Epson Lamp	V13H010L67	0 10343 88423 6
Replacement Air Filter	V13H134A32	0 10343 88586 8

Specifications

Projection System
3LCD, 3-chip technology

Projection Method
Front/rear/ceiling mount

Driving Method
Poly-silicon TFT Active Matrix

Pixel Number
786,432 dots (1024 x 768) x 3

Color Light Output¹
2800 lumens

White Light Output¹
2800 lumens (ISO 21118 Standard)

Aspect Ratio
4:3

Native Resolution
1024 x 768 (XGA)

Resize
640 x 480 (VGA), 800 x 600 (SVGA),
1152 x 864 (SXGA1), 1280 x 800 (WXGA),
1280 x 960 (SXGA2), 1280 x 1024 (SXGA3),
1280 x 768 (WXGA60-1), 1360 x 768 (WXGA60-2),
1400 x 1050 (SXGA+), 1440 x 900 (WXGA+),
1600 x 1200 (UXGA60)

Lamp Type
200 W UHE (E-TORL)

Lamp Life³
Up to 5000 hours (ECO Mode)
Up to 4000 hours (Normal Mode)

Throw Ratio Range
1.48 – 1.77 (4:3)

Size (projected distance)
30" – 300" (2.9' – 35.9')

Keystone Correction
Vertical: ± 30 degrees (Automatic)
Horizontal: ± 30 degrees (Slider)

USB Plug 'n Play
Projector is compatible with PC and Mac computers

Contrast Ratio
Up to 3000:1

Color Reproduction
16.77 million colors

Projection Lens

Type
Manual focus

F-number
1.58 – 1.72

Focal Length
16.9 – 20.28 mm

Zoom Ratio
Optical zoom 1.0 – 1.2

Other

Display Performance
NTSC: 480 lines
PAL: 560 lines
(Depends on observation of the multi-burst pattern)

Input Signal
NTSC/NTSC4.43/PAL/M-PAL/N-PAL/PAL60/SECAM/SDTV/HDTV

Interfaces
HDMI x 1
Computer/component video: D-sub 15 pin x 1
S-video: Mini DIN x 1
Composite video: RCA (Yellow) x 1
Audio in: RCA x 1 (L and R)
USB connector: Type B x 1 (USB display, audio and mouse control)
USB connector: Type A x 1 (USB memory/document camera)
Monitor out: D-Sub 15 pin x 1
Serial: RS-232c x 1

Speaker
2 W (mono)

Operating Temperature
41 ° to 95 °F (5 ° to 35 °C)

Power Supply Voltage
100 – 240 V ±10%, 50/60 Hz

Power Consumption
283 W (Normal Mode)
2.9 W Standby (Communication On)
0.4 W Standby (Communication Off)

Fan Noise
37 dB (Normal Mode)
29 dB (ECO Mode)

Security
Kensington[®]- style lock provision, padlock and security anchor bar

Dimensions (W x D x H)

Including feet: 11.6" x 9.0" x 3.1"
Excluding feet: 11.6" x 9.0" x 3.0"
Weight: 5.1 lb (2.3 kg)

Remote Control

Features
Source search, computer, video, USB, power, aspect, color mode, volume, e-zoom, A/V mute, freeze, menu, esc, enter, page up and down, help, auto, mouse functions, user, num, pointer

Operating Angle
Right/left: ± 30 degrees
Upper/lower: ± 15 degrees

Operating Distance
19.7' (6 m)

Support

The Epson ConnectionSM
Pre-sales support (U.S. and Canada): 800-463-7766
Internet website: www.epson.com

Service Programs
Two-year projector limited warranty, Epson Road Service program, PrivateLine[®] dedicated toll-free support and 90-day lamp limited warranty

What's In The Box
PowerLite X12 multimedia projector, power cord, computer cable (VGA), soft carrying case, projector remote control, batteries, user manual CD, Quick Setup Sheet, PrivateLine support card and password protection sticker

Accessory Part Numbers

Genuine Epson Lamp	V13H010L67
Replacement Air Filter	V13H134A32
Universal projector ceiling mount	ELPMBPJF
Adjustable suspended ceiling channel kit	ELPMBP01
False ceiling plate kit	ELPMBP02
Structural round ceiling plate	ELPMBP03
Adjustable extension column (pipe) 8" – 11"	ELPMBP01
Duet [™] screen	ELPSC80
ES3000 portable screen (ELPSC26H)	V12H002S3Y
ES1000 ultra portable tabletop screen	V12H002S4Y
DC-06 document camera (ELPDC06)	V12H321005
DC-11 document camera (ELPDC11)	V12H377020
BrightLink Solo [™] interactive module (IU-01)	V12H415020
BrightLink Solo interactive module with RM Easeiteach (IU-01)	V12H415020RM
Kensington security lock	ELPSL01
AP-60 projector sound solution	V12H329020
Component-to-VGA video cable	ELPKC19
Pixie Plus control system	ELPSP10
ELPSP02 active speakers	V12H467020

Packaging Specifications

PowerLite X12
Dimensions 14.4" x 13.3" x 6.1" (W x D x H)
Weight 9.0 lb

Genuine Epson Lamp
Dimensions 5.5" x 5.1" x 5.6" (W x D x H)
Weight 0.7 lb
Master Carton
Dimensions 26.1" x 11.5" x 6.8" (W x D x H)
Weight 8.4 lb
Units Per Master Carton 10

Replacement Air Filter
Dimensions 5.0" x 4.1" x 1.3" (W x D x H)
Weight 0.1 lb
Master Carton
Dimensions 12.8" x 5.3" x 4.7" (W x D x H)
Weight 1.3 lb
Units Per Master Carton 10

1 Color and white light output will vary depending on mode selected. White light output measured using ISO 21118 standard.
2 Data source: ProjectorCentral.com Jan. 2011. Average of 1038 shipping models for which manufacturers provided lumens and total power data, all resolutions and brightness levels.
3 Lamp life will vary depending upon mode selected, environmental conditions and usage. Lamp brightness decreases over time.
4 See our website for convenient and reasonable recycling options at www.epson.com/recycle
5 SmartWay is an innovative partnership of the U.S. Environmental Protection Agency that reduces greenhouse gases and other air pollutants and improves fuel efficiency.

- He was the child of the Enlightenment and the Revolution
- He had a deep sense of moral responsibility to the people of France
- He advocated an invasion of Britain in the 1770s
- He was born the illegitimate son of a Corsican priest
- He had no formal military training before he volunteered for army service

PowerLite[®] X12 MULTIMEDIA PROJECTOR



Future-proof connectivity from an affordable XGA projector.

Featuring XGA resolution and 2800 lumens of color/white light output¹, the PowerLite X12 produces crisp, bright presentations in any classroom or conference room, all at an affordable price. Thanks to HDMI digital connectivity, you can connect to the latest laptops and media players for high-quality audio and video with just one cable. Or, use the 3-in-1 USB Plug 'n Play instant setup and easy-slide horizontal keystone correction to get your PowerLite X12 up and running quickly. Present PC-free slideshows or connect to an Epson DC-06 document camera via the USB (Type A) port for added versatility. Closed captioning is included as well. The PowerLite X12 has all the tools you need for bright, engaging classroom presentations.

Crisp, bright presentations — XGA resolution and 2800 lumens color/white light output¹

Enhanced connectivity — HDMI, RS-232c, PC-free slideshows and direct connection to the Epson DC-06 document camera via USB

3-in-1 USB Plug 'n Play instant setup — display your presentation, transmit audio and control your presentation — all with one standard USB connection

Easy setup and greater positioning flexibility — 1.2x optical zoom, +/- 30 degrees horizontal and vertical keystone correction and Quick Corner[®]



PowerLite® X12 MULTIMEDIA PROJECTOR

The best-selling projectors in the world

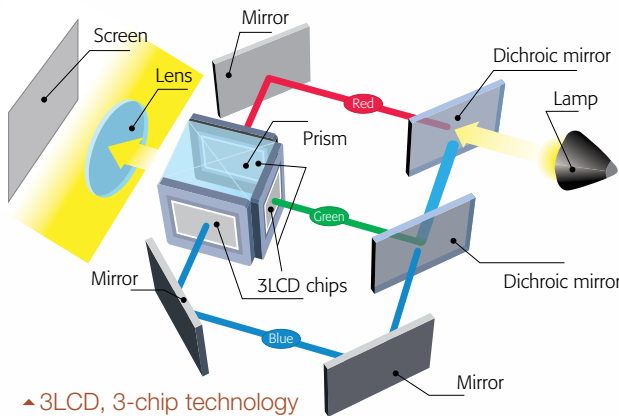
Epson understands education and has a solution no matter what your teaching scenario. Built with image quality and reliability in mind, Epson projectors enhance communication and inspire collaboration, while offering a low total cost of ownership. From long-throw projectors to ultra-short-throw, interactive, and all-in-one solutions, Epson has the model made for you.



3LCD technology — for quality and color that's beyond amazing

Innovative technology with proven reliability

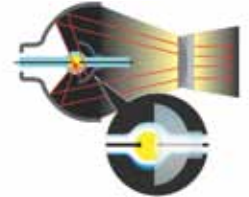
- 3 chips for full-time, vibrant color
- 25% less electricity required per lumen of brightness when compared to 1-chip DLP projectors²
- Over 20 years of road-tested reliability built into every projector



▲ 3LCD, 3-chip technology

Energy-efficient E-TORL® lamp, exclusively from Epson

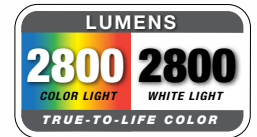
- Delivers more lumens per watt and lasts up to 5000 hours³
- Minimizes both light diffraction and light leakage
- Maximizes your presentation time, while minimizing your costs



▲ E-TORL lamp

Amazing color and white light output

- 2800 lumens color light output and 2800 lumens white light output¹
- High color light output for bright, balanced, colorful images
- White light output that's measured using ISO 21118 (a more rigid standard than the outdated ANSI lumens rating used by competitive products)



High-quality images with HDMI digital connectivity

- Delivers both audio and brilliant video content with just one cable
- Compatible with the latest laptops, Blu-ray® and media players



Enhanced connectivity

- RS-232c to connect to an A/V control device
- Partner your projector directly with the Epson DC-06 document camera via the USB Type A port
- Deliver PC-free slideshows using a USB flashdrive (supports JPEG, PNG, GIF and BMP files)



▲ Compact and portable design

Better Products for a Better Future™

For more information on Epson's environmental programs, go to eco.epson.com



Eco Features

- Energy-efficient 3LCD light engine
- Energy-efficient E-TORL lamp
- Designed to be recycled⁴
- RoHS compliant
- Epson America, Inc. is a SmartWaySM Transport Partner⁵





Advanced 3-in-1 USB Plug 'n Play instant setup — for Windows® and Mac®

- Three features, all with one standard USB connection
 - Display your presentation
 - Transmit audio
 - Control your presentation

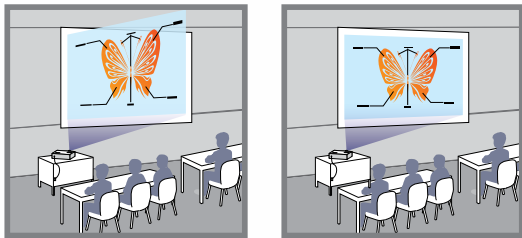


Easy setup and picture adjustments

- 1.2x optical zoom — for better positioning flexibility
- +/- 30 degrees vertical keystone correction — allows for easy adjustments when the projector is placed above or below the center of the projection screen

Horizontal keystone correction with easy-slide control

- Project an accurate rectangular image from nearly any angle. Even if your projector is placed to the left or right of the screen, you can make your presentation front and center.
- Use the easy-slide control bar to adjust the image until it reaches the shape/position you desire.



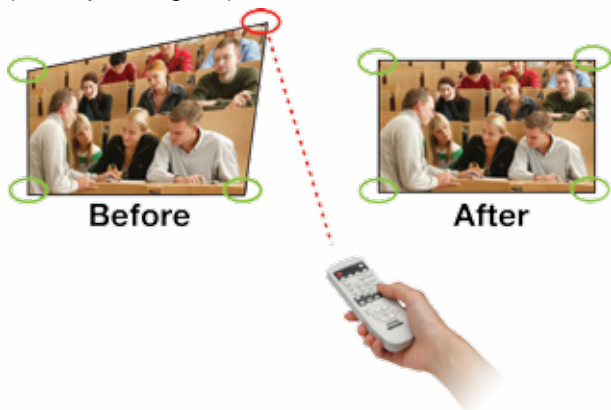
Without horizontal keystone With horizontal keystone



New easy-slide image correction control bar

Quick Corner

- This innovative feature allows you to move any of the four corners of an image independently, to adjust each corner for a perfectly rectangular picture



PowerLite X12 Additional Features

- **Built-in 2 W speaker** — enhance your lessons and presentations with sound
- **Carrying case included** — for easy portability and protection when stored
- **Remote control included** — new design for easy navigation
- **Sleek, compact design** — fits in any classroom or conference room

Quick, convenient control

- **Instant Off®** — no cool-down time required; it's ready to shut down when you are
- **A/V Mute Slide** — control your presentation; it's right at your fingertips
- **Direct Power On/Off** — power the projector on/off with the flip of a wall switch



Energy saving features

- **Sleep Mode** — set from 1 to 30 minutes to save energy when no signal is detected
- **ECO Mode** — change the power consumption settings to ECO mode to reduce lamp brightness and fan noise, and save power and lamp life.

Built-in closed captioning

- Helps meet ADA 508 requirements for students with hearing impairments
- No need to pay for an additional decoder and its installation
- Easily enabled or disabled through the projector remote or menu



High-efficiency filter

1.3x bigger surface area than our previous generation adds a higher level of protection.

